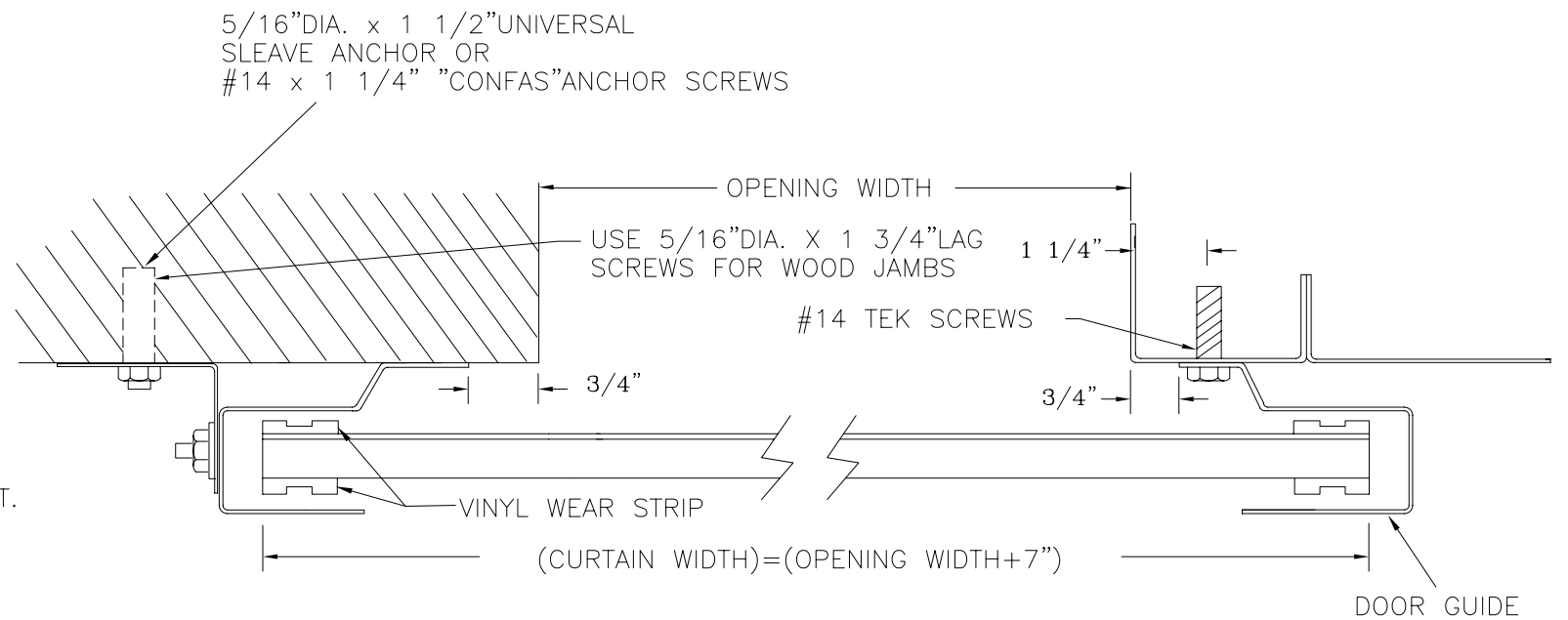


INTERIOR ELEVATION

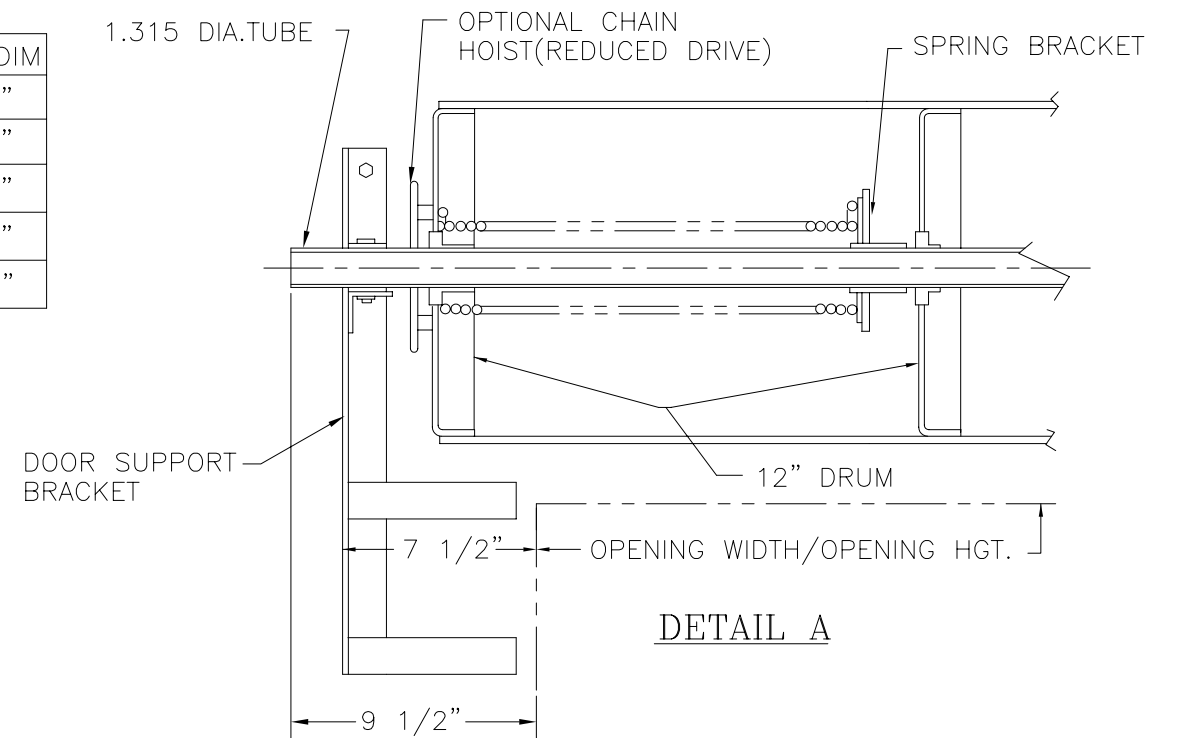
SIDE ELEVATION



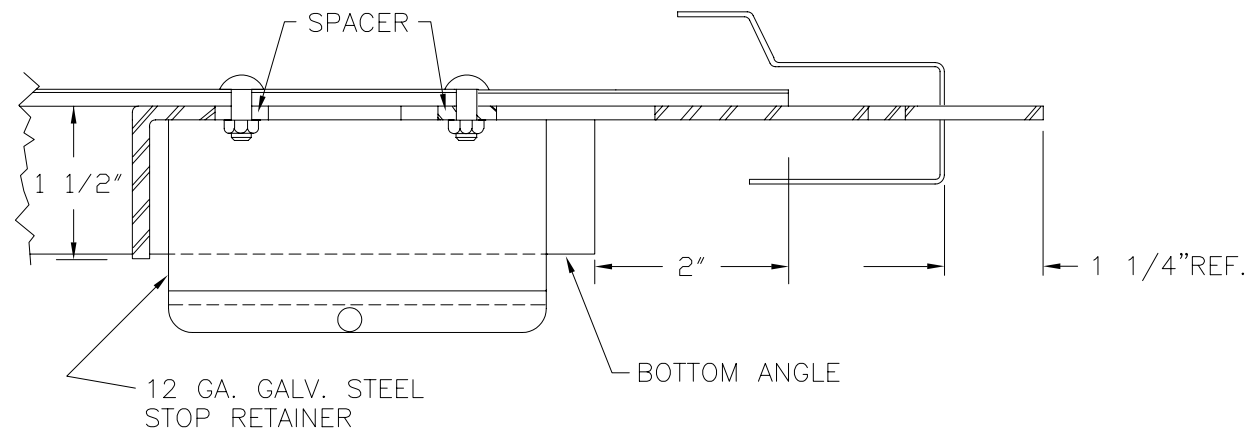
MASONRY & WOOD JAMB

STEEL JAMB

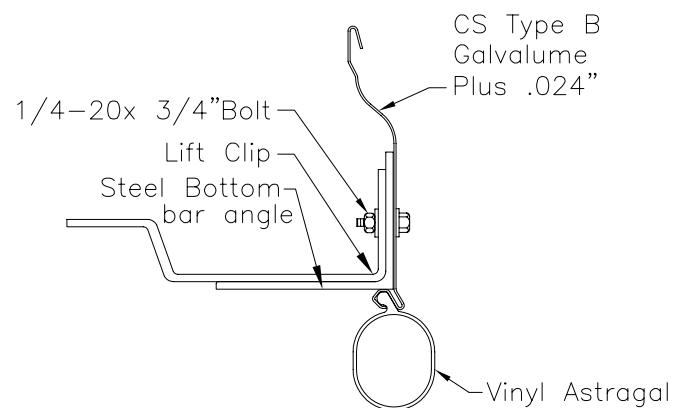
| HEADROOM | "A" DIM |
|------------------|---------|
| UP TO 8'-0" | 16" |
| 8'-1" TO 10'-0" | 17" |
| 10'-1" TO 12'-0" | 18" |
| 12'-1" TO 14'-0" | 19" |
| 14'-1" TO 16'-0" | 20" |



DETAIL A



SLIDE BOLT LOCK ASSY.



BOTTOM BAR

| DOOR | QTY. | WIDTH | HEIGHT | TYPE OF OPERATION | SPECIAL COMMENTS |
|------|------|-------|--------|-------------------|------------------|
| D | | | | | |
| C | | | | | |
| B | | | | | |
| A | | | | | |

MODEL 626

U.S. Door & Building Components
 10407 Rocket Blvd. Orlando Fl. 32824
 407.859.6770 Fax 407.447.2923 usdoor.com

JOB: _____
 CONTRACTOR: _____
 ARCHITECT: _____
 ADDRESS: _____
 DISTRIBUTOR: _____
 ADDRESS: _____

DATE: 01.11.10 SHEET: 1
 DRAWN BY: CDW
 CHECKED BY: GOG
 DRAWING NUMBER
 626-00-216