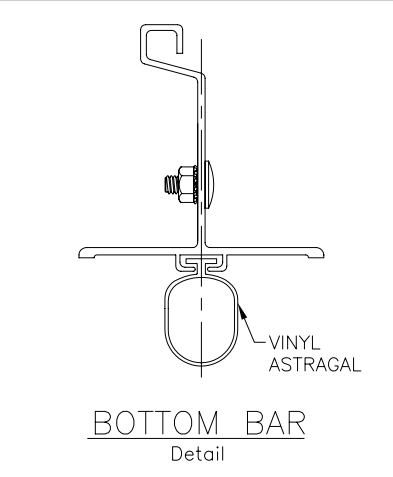
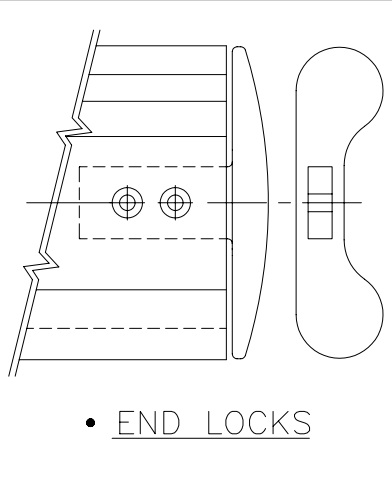
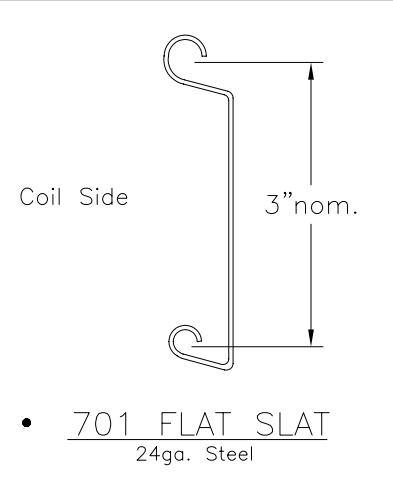
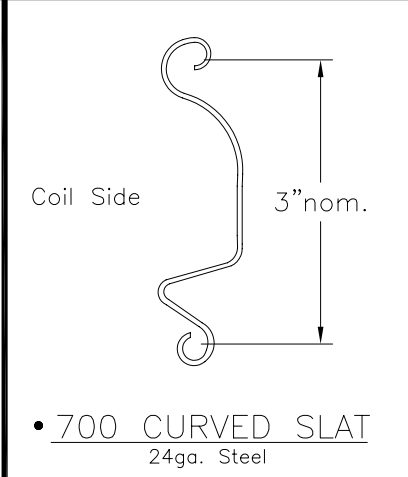
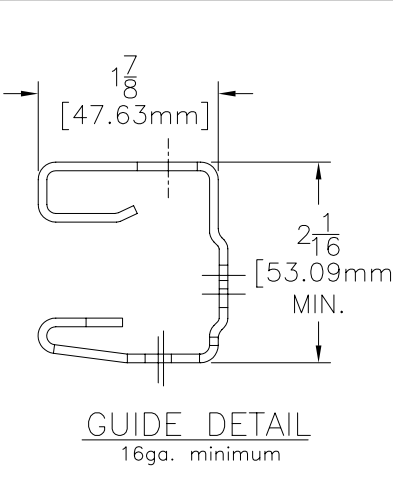


**Interior Elevation**  
Inside Face of Wall Mount  
Coil Side

**Section A-A**

HEADROOM	DIM. A	DIM. B	HOOD DIM. A
UP TO 10'-0"	22"	22"	25"
10'-1" TO 12'-0"	23"	23"	25"
12'-1" TO 14'-0"	24"	24"	25"

Maximum door size 14'-0" wide x 14'-0" high

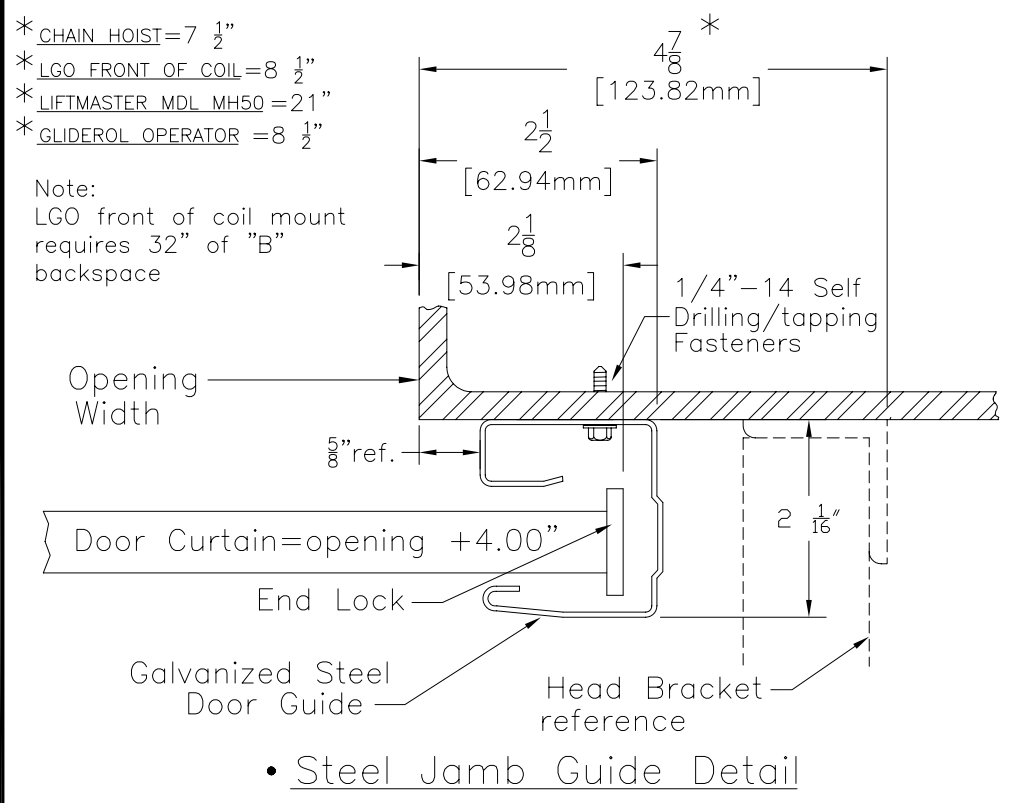


**ROLL FORMED GALVANIZED STEEL**

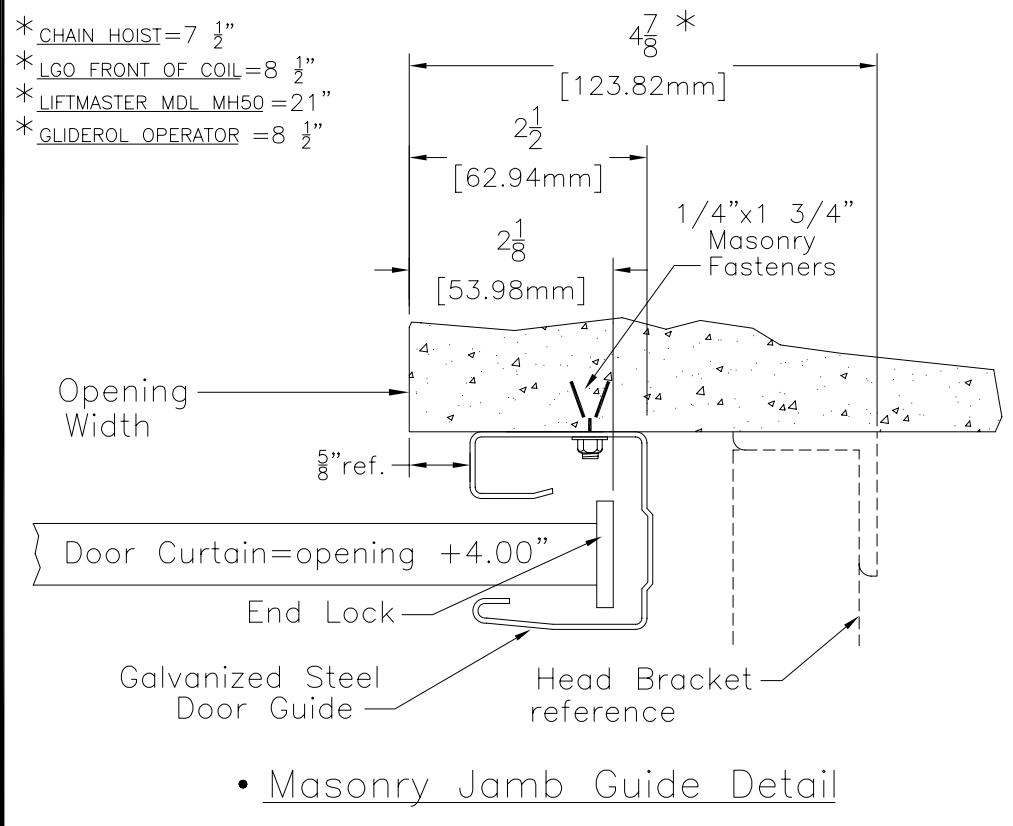
**SLAT FINISHES**  
 • GALVANIZED STEEL  
 • PREFINISHED WHITE PRIMED  
 • LIGHTSTONE TAN  
 • BRONZE DURANODIC COLOR

**END LOCK TYPES**  
 • NYLON (STANDARD)  
 • CAST (OPTIONAL)

**EXTRUDED ALUMINUM CONSTRUCTION**



**Steel Jamb Guide Detail**



**Masonry Jamb Guide Detail**

DOOR	QTY.	ROUGH OPENING		TYPE OF OPERATION CHAIN or MOTOR (4)	HAND OF OPERATION LH or RH	BUILDING JAMBS SJ or MJ	SLAT TYPE CURVED or FLAT	SLAT FINISH	END LOCK TYPE NYLON or CAST	SLIDE LOCKS CS or OCS	HOOD OPTION GALV. FINISH	HOOD WHITE FINISH	HOOD BAFFLE	GUIDE WEATHER-STRIPPING	ADDITIONAL REMARKS
		WIDTH	x HEIGHT												

# MODEL 700 & 701

**U.S. Door & Building Components**  
 10407 Rocket Blvd. Orlando Fl. 32824  
 407.859.6770 Fax 407.447.2923 usdoor.com

JOB: \_\_\_\_\_  
 CONTRACTOR: \_\_\_\_\_  
 ARCHITECT: \_\_\_\_\_  
 ADDRESS: \_\_\_\_\_  
 DISTRIBUTOR: \_\_\_\_\_  
 ADDRESS: \_\_\_\_\_

DATE: 04.21.08 SHEET: 1  
 DRAWN BY: C.D.W.  
 CHECKED BY: \_\_\_\_\_  
 DRAWING NUMBER  
 700-00-168

Last revision 04.21.08