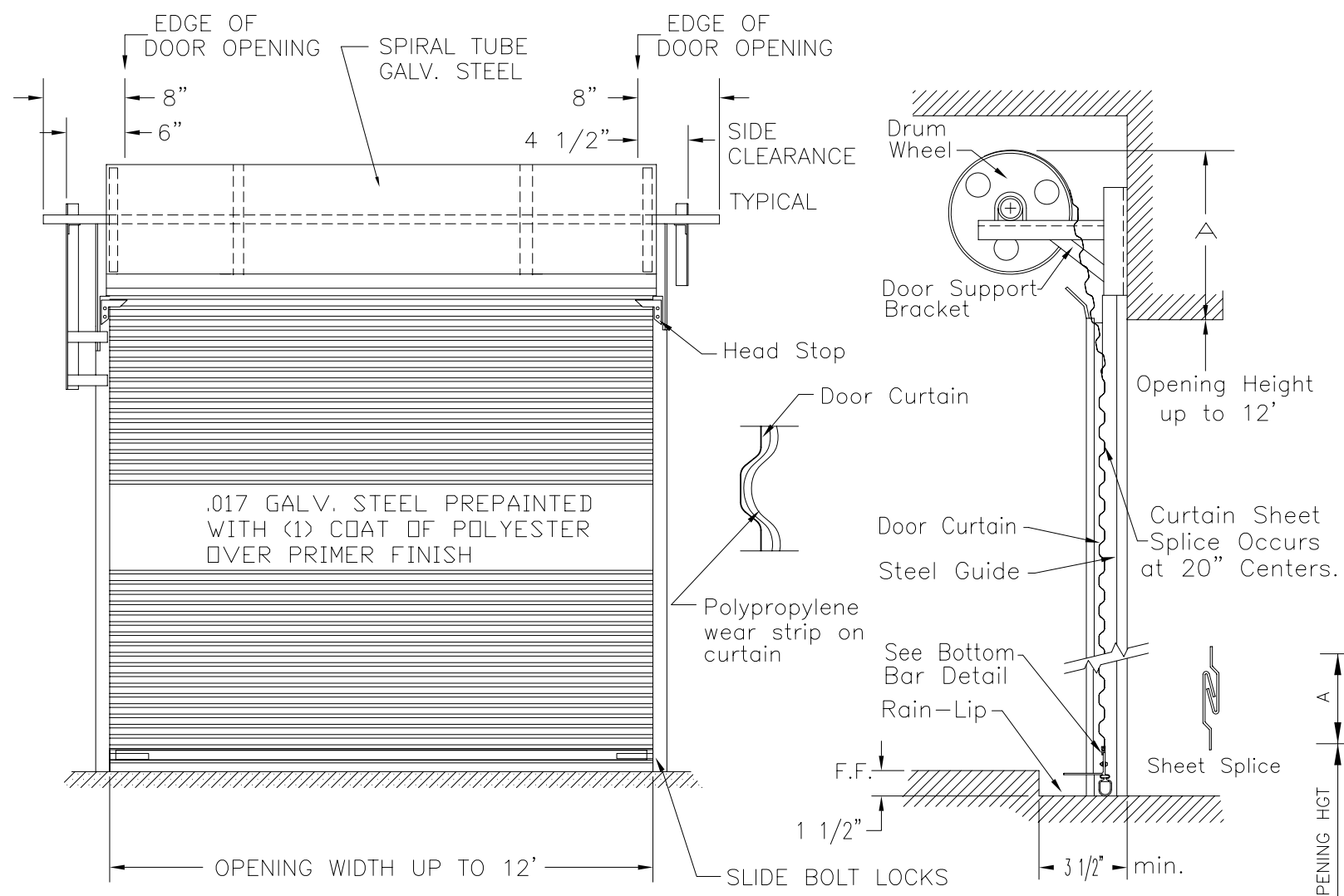
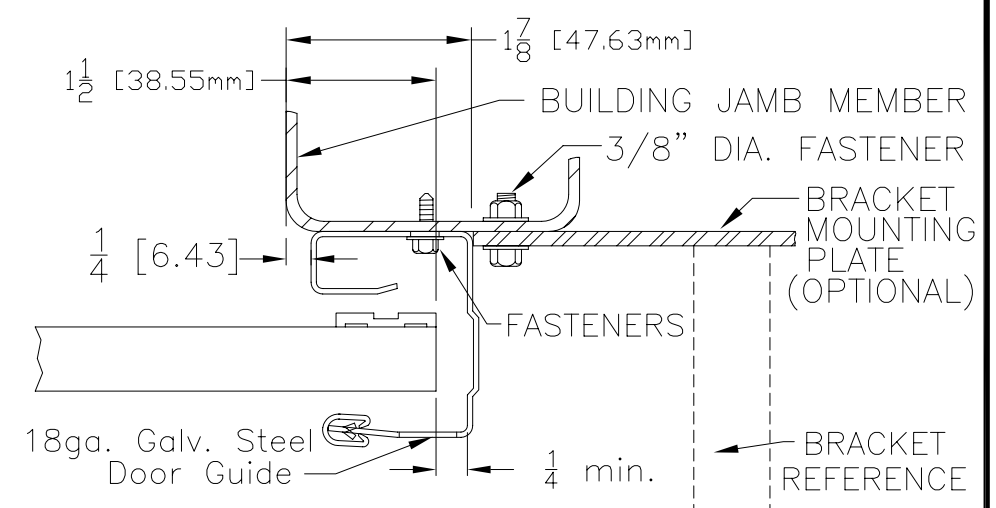


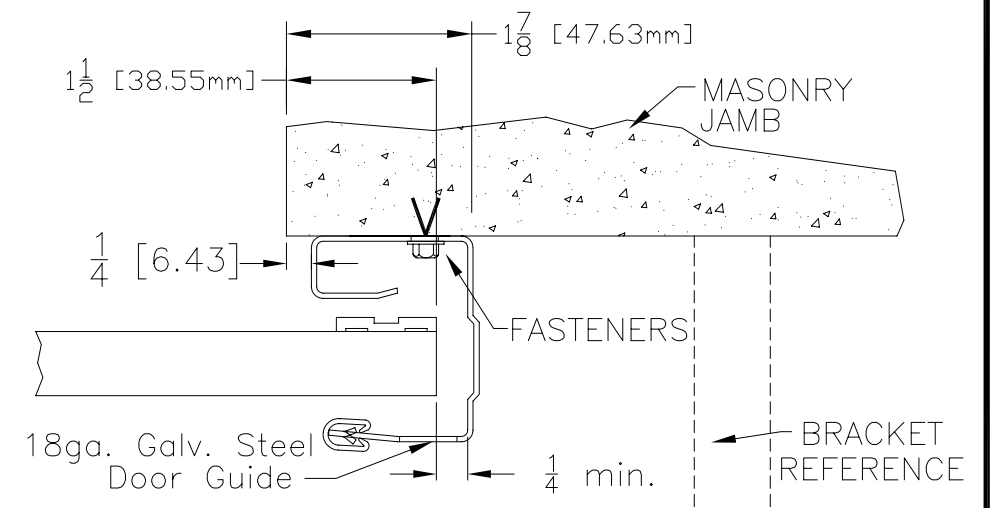
REV	DATE	ECN NO.	DESCRIPTION	APPVD:



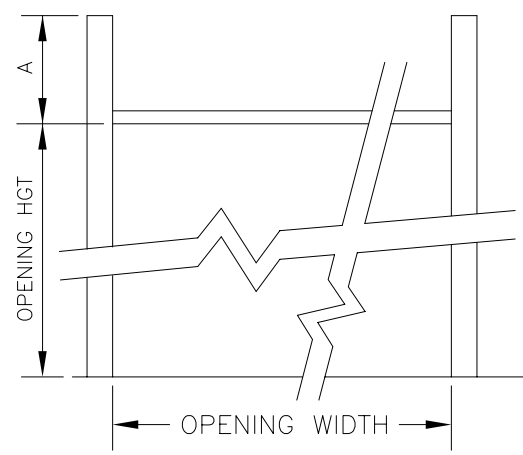
HEADROOM	"A" DIM
UP TO 8'-0"	16"
8'-0" TO 10'-0"	17"
10'-1" TO 12'-0"	18"



**STEEL JAMB**



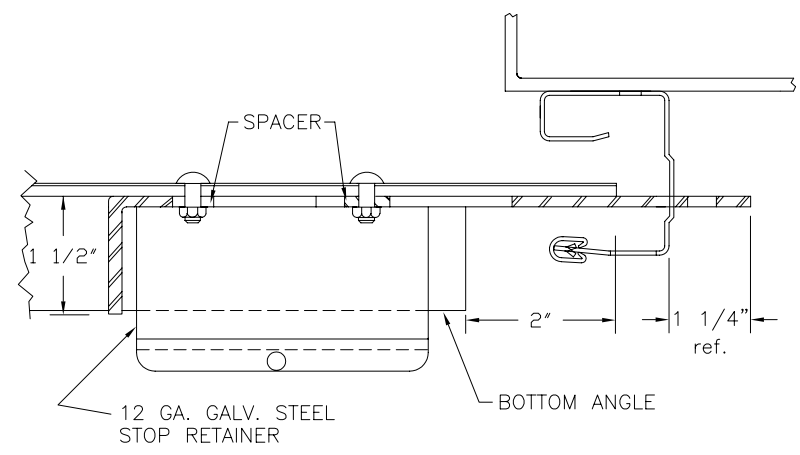
**MASONRY JAMB**



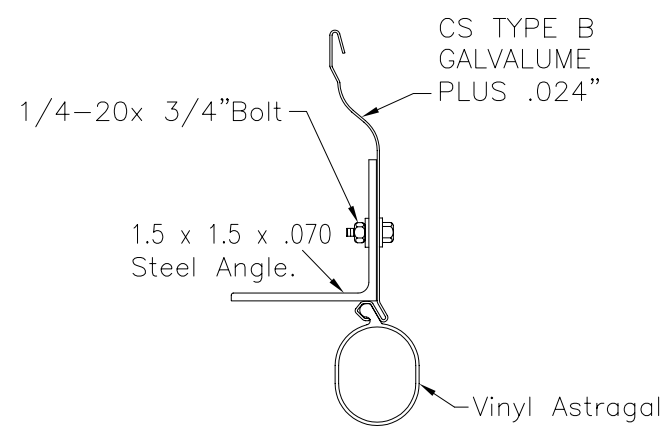
**FRAMING DETAIL**  
@ DOOR OPENING

**INTERIOR ELEVATION**

**SIDE ELEVATION**

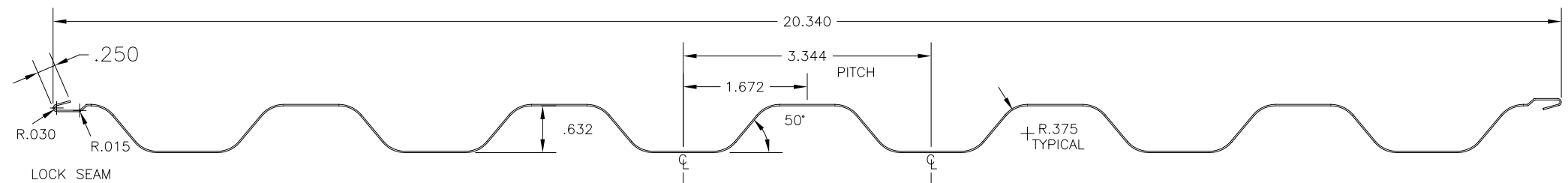


**SLIDE BOLT LOCK ASSEMBLY**



**BOTTOM BAR**

DOOR	QTY.	WIDTH	HGT.	TYPE OF OPERATION	JAMBS	COLOR	COMMENTS
"D"							
"C"							
"B"							
"A"							



**CORRUGATED SHEET**

**MODEL 551**

**U.S. Door & Building Components**

10407 Rocket Blvd. Orlando Fl. 32824  
407.859.6770 Fax 407.447.2923 usdoor.com

JOB: \_\_\_\_\_  
CONTRACTOR: \_\_\_\_\_  
ARCHITECT: \_\_\_\_\_  
ADDRESS: \_\_\_\_\_  
DISTRIBUTOR: \_\_\_\_\_  
ADDRESS: \_\_\_\_\_

DATE: 04.21.08 SHEET: 1  
DRAWN BY: \_\_\_\_\_  
CHECKED BY: \_\_\_\_\_  
DRAWING NUMBER: 551-shop-drawing