



**BUILDING CODE COMPLIANCE OFFICE (BCCO)
PRODUCT CONTROL DIVISION**

**MIAMI-DADE COUNTY, FLORIDA
METRO-DADE FLAGLER BUILDING
140 WEST FLAGLER STREET, SUITE 1603
MIAMI, FLORIDA 33130-1563
(305) 375-2901 FAX (305) 375-2908**

NOTICE OF ACCEPTANCE (NOA)

**US Door & Building Components LLC
10407 Rocket Boulevard.
Orlando, FL 32824**

Scope. This NOA is being issued under the applicable rules and regulations governing the use of construction materials. The documentation submitted has been reviewed by Miami-Dade County Product Control Division and accepted by the Board of Rules and Appeals (BORA) to be used in Miami Dade County and other areas where allowed by the Authority Having Jurisdiction (AHJ).

This NOA shall not be valid after the expiration date stated below. The Miami-Dade County Product Control Division (In Miami Dade County) and/or the AHJ (in areas other than Miami Dade County) reserve the right to have this product or material tested for quality assurance purposes. If this product or material fails to perform in the accepted manner, the manufacturer will incur the expense of such testing and the AHJ may immediately revoke, modify, or suspend the use of such product or material within their jurisdiction. BORA reserves the right to revoke this acceptance, if it is determined by Miami-Dade County Product Control Division that this product or material fails to meet the requirements of the applicable building code.

This product is approved as described herein, and has been designed to comply with the Florida Building Code including the High Velocity Hurricane Zone.

DESCRIPTION: Model 651 Steel Rolling Door 14'-0" Wide

APPROVAL DOCUMENT: Drawing No. 651-58-168, dated 08/02/99, with last revision on 06/05/05, and titled "Model 651-58-168", sheets 1 and 2 of 2, prepared by US Door & Building Components. Signed and sealed by J. H. Dixon Jr PE, bearing the Miami-Dade County Product Control Renewal stamp with the Notice of Acceptance number and expiration date by the Miami-Dade County Product Control Division.

MISSILE IMPACT RATING: Large and Small Missile Impact

LABELING: Each unit shall bear a permanent label with the manufacturer's name or logo, city, state and following statement: "Miami-Dade County Product Control Approved or MDCPCA", unless otherwise noted herein.

RENEWAL of this NOA shall be considered after a renewal application has been filed and there has been no change in the applicable building code negatively affecting the performance of this product.

TERMINATION of this NOA will occur after the expiration date or if there has been a revision or change in the materials, use, and/or manufacture of the product or process. Misuse of this NOA as an endorsement of any product, for sales, advertising or any other purposes shall automatically terminate this NOA. Failure to comply with any section of this NOA shall be cause for termination and removal of NOA.

ADVERTISEMENT: The NOA number preceded by the words Miami-Dade County, Florida, and followed by the expiration date may be displayed in advertising literature. If any portion of the NOA is displayed, then it shall be done in its entirety.

INSPECTION: A copy of this entire NOA shall be provided to the user by the manufacturer or its distributors and shall be available for inspection at the job site at the request of the Building Official.

This NOA renews NOA # 05-0628.02 and consists of this page, evidence page E-1, as well as approval document mentioned above.

The submitted documentation was reviewed by **Mohammed Iqbal Shaikh, P.E.**

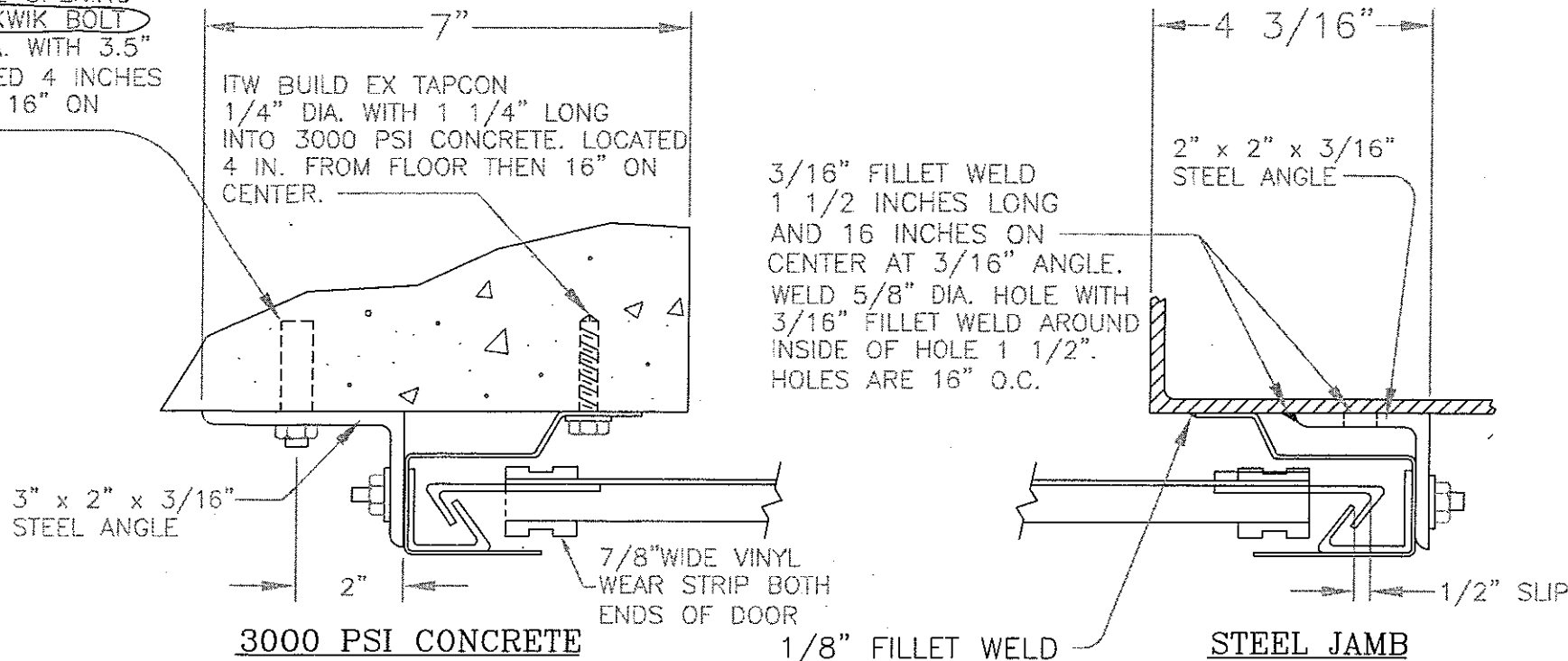
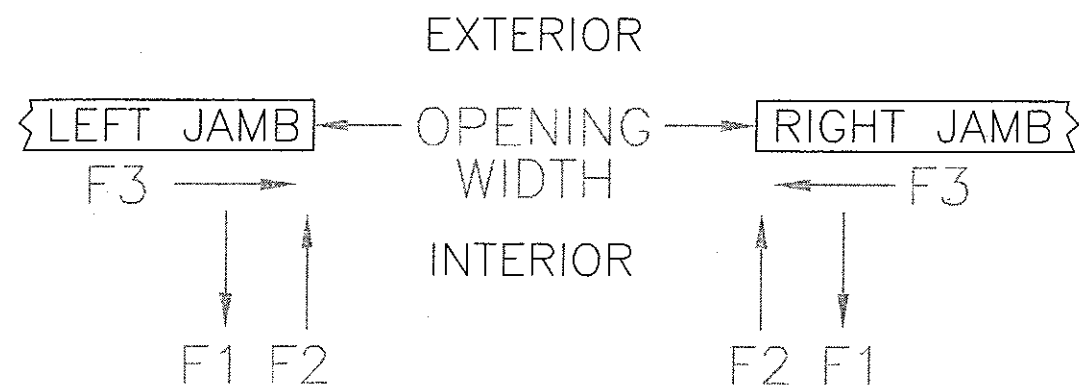


MX
01/07/09

**NOA No. 08-1114.03
Expiration Date: December 28, 2009
Approval Date: January 28, 2009
Page 1**

BUILDING DESIGNER NOTE:
 STRUCTURE MUST BE DESIGNED
 TO SUPPORT FORCES F1, F2 &
 F3 (SHOWN AS LB/FT OF OPENING
 HEIGHT) AT EACH JAMB. VALUES
 ARE SHOWN IN CHARTS BELOW.

UP TO 10'-0" WIDE OPENING
 REQUIRES A HILTI KWIK BOLT
 3 SYSTEM 1/2" DIA. WITH 3.5"
 EMBEDMENT. LOCATED 4 INCHES
 FROM FLOOR THEN 16" ON
 CENTER.



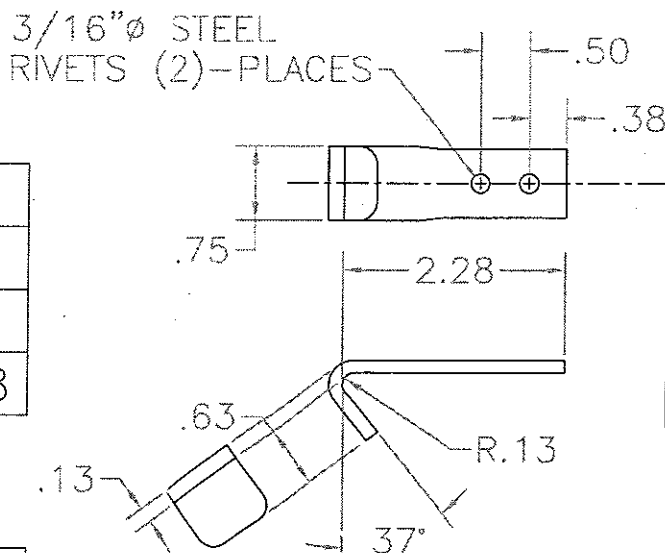
FORCES ON STRUCTURE/CONCRETE JAMBS

DOOR OPENING WIDTH	POSITIVE			NEGATIVE		
	F1	F2	F3	F1	F2	F3
TO 10'-0"	318	66	723	190	482	904
10'-1" TO 14'-0"	653	301	1659	489	897	1958

FORCES ON STRUCTURE/STEEL JAMBS

DOOR OPENING WIDTH	POSITIVE			NEGATIVE		
	F1	F2	F3	F1	F2	F3
TO 10'-0"	1292	1040	723	1297	1590	904
10'-1" TO 14'-0"	2847	2495	1659	2928	3336	1958

NOTE: VALUES SHOWN ARE THE HIGHER OF EITHER BOLTED OR WELDED CONNECTION.



WIND-LOCKS
 MATERIAL- 0.13 GALVANIZED STEEL.

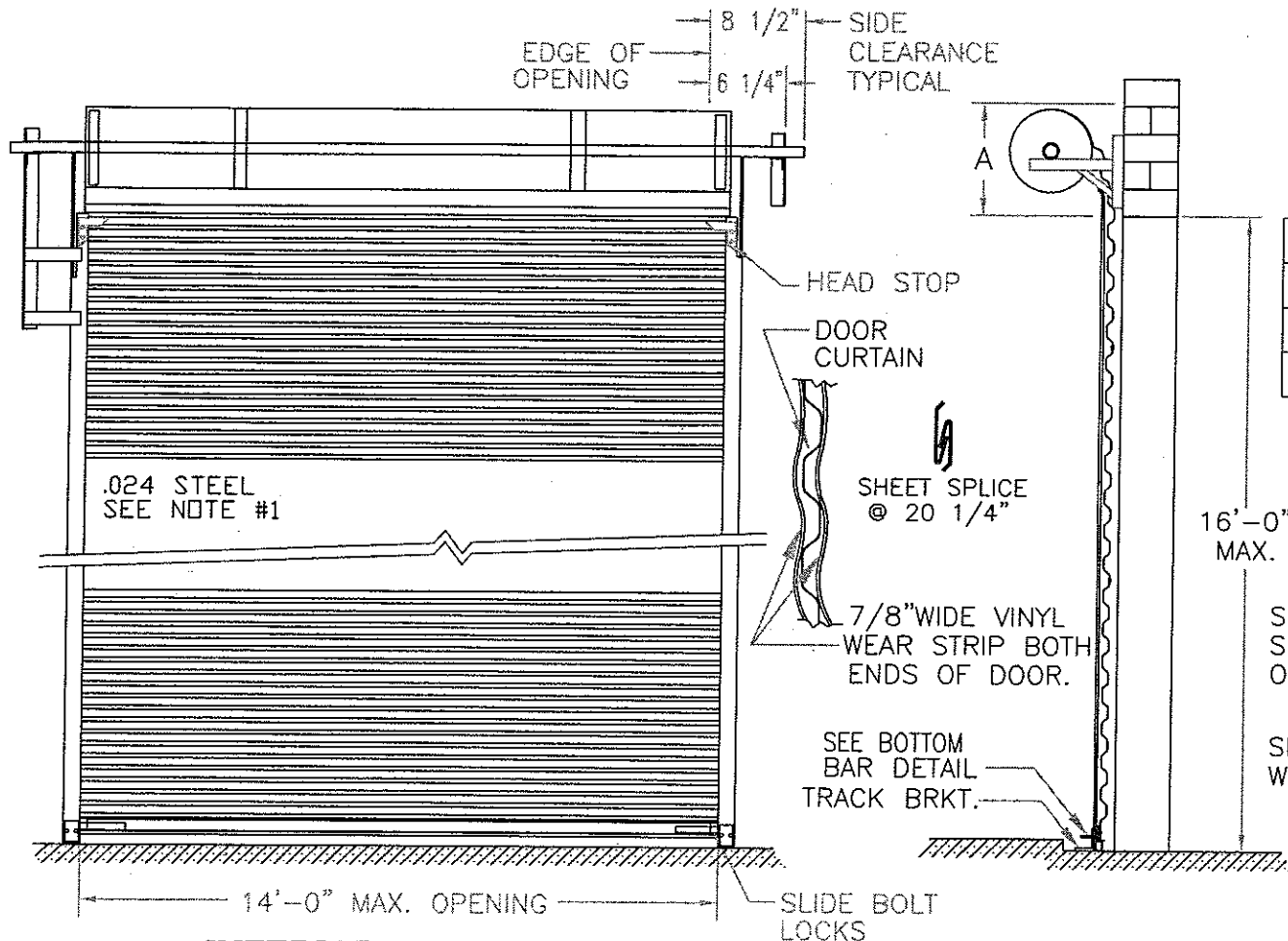
PRODUCT REVISIONS
 as complying with the Florida
 Building Code
 Approval No. 08-1114.03
 Expiration Date 12/28/09
 By: [Signature]
 Miami-Dade Building Dept.
 Division

[Signature]
 6/6/05
 FL 7768

3	06-05-05	CHANGED KWIK BOLT SPECIFICATION FROM 2 TO 3
2	11-29-00	Added wear strip note
1	03-29-00	Added wind Lock Part Detail

MODEL 651 WINDLOADED DOOR

 2706 Rew Circle Suite 200 Ocoee, FL 34761 407.877.0100 Fax 407.877.8875 usdoor.com	JOB:	DATE: 8-2-99 SHEET 2 of 2
	CONTRACTOR:	DRAWN BY: C.D.W.
ARCHITECT:	CHECKED BY: G.O.G.	DRAWING NUMBER
ADDRESS:		651-58-168
DISTRIBUTOR:	ENGINEER:	
	J.H. DIXON JR P.E. LIC No. FL7768	



INTERIOR ELEVATION

NOTE #1: STEEL USED IS ASTM A-653 (ei) STRUCTURAL QUALITY GRADE 80 WITH A MINIMUM YIELD OF 80,000 PSI. FINISH IS G-90 GALVANIZED OR G-60 GALVANIZED WITH A BAKED ON PRIMER POLYESTER TOP COAT ON BOTH SIDES.

NOTE #2: USE 70XX ELECTRODES FOR WELDING WIND LOCKS STAMPED FROM .130 GALVANIZED STEEL OF COMMERCIAL QUALITY AND RIVETED TO EACH CORRUGATION IN SHEET (5 LOCKS AT EACH END OF EACH SHEET). WIND LOCK ATTACHED WITH (2)-3/16\"/>

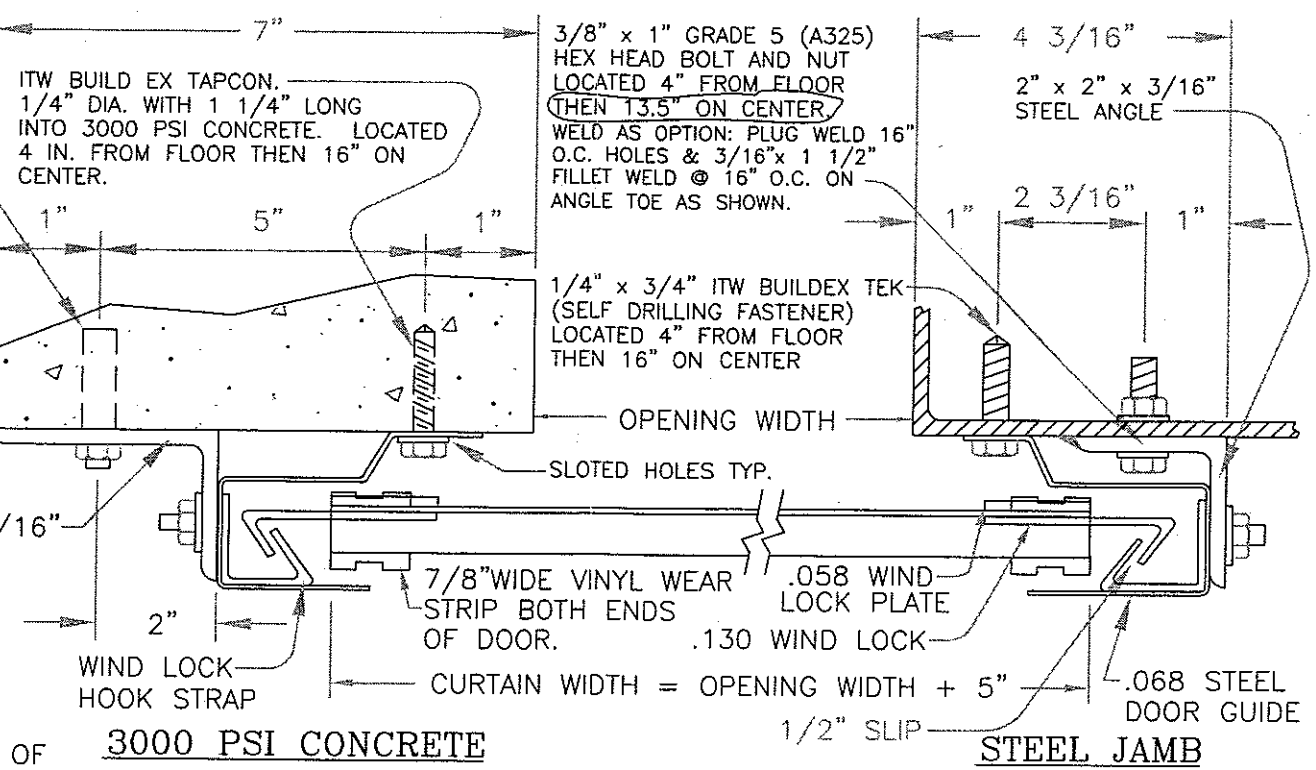
WIND LOCK STRIP MADE FROM .103 GALVANIZED STEEL GUIDES MADE FROM .068 HOT DIPPED GALVANIZED STEEL

5/8" DIA. x 4" EMBEDMENT HILTI KWIK BOLT 3 SYSTEM LOCATED 4", 12", 20" FROM FLOOR THEN 14" ON CENTER TYPICAL.

HEADROOM	DIM. A
UP TO 10'-0"	22"
10'-1" TO 12'-0"	23"
12'-1" TO 16'-0"	24"

SEE SHEET 2 OF 2 FOR ANCHOR SPACING FOR DOORS USED WITH OPENINGS TO 10'-0" WIDE

SEE SHEET 2 OF 2 FOR DETAILS OF WELDING GUIDES TO STEEL JAMBS



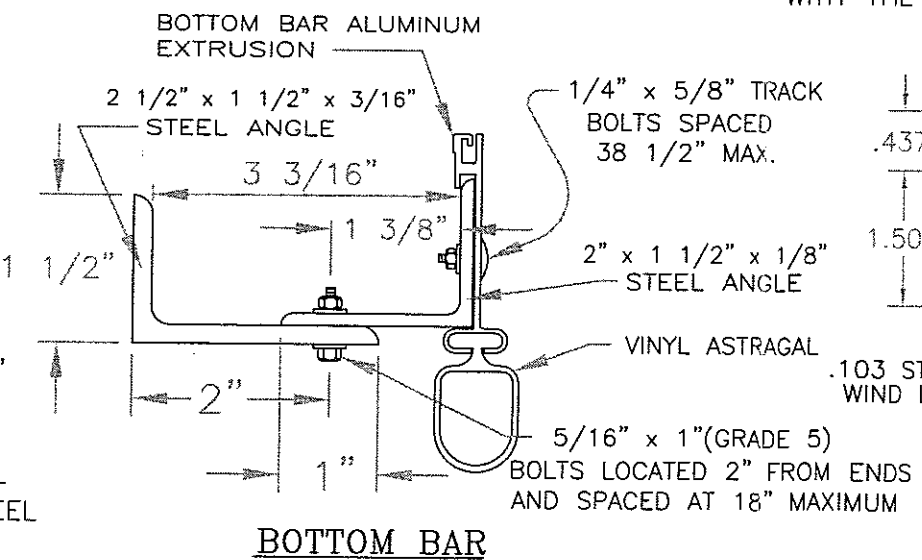
3000 PSI CONCRETE

THIS LEG MUST BE 3" LONG WHEN TURNED OUT

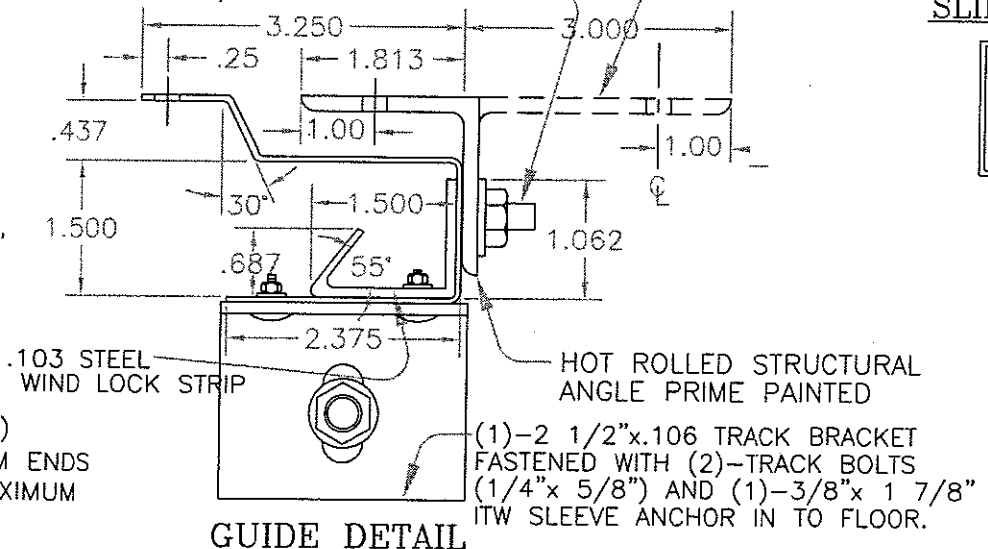
5/16" STUD BOLT WELDED TO WIND LOCK HOOK STRAP 4" FROM FLOOR AND 8" ON CENTER THEREAFTER. THE 2" x 2" x 3/16" ANGLE OR 3" x 2" x 3/16" ANGLE IS ATTACHED WITH THE SAME 5/16" STUD BOLTS.

SLIDE BOLT LOCK ASSY.

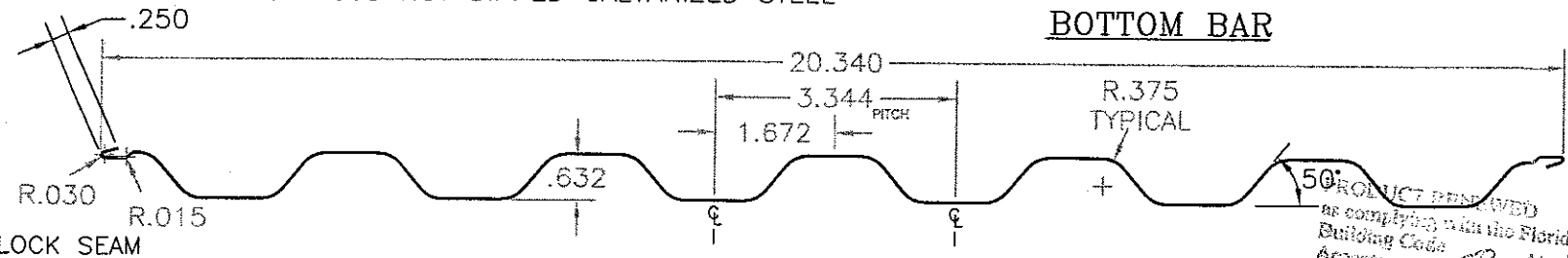
MODEL 651 DCC
SERIES
50 PSF POSITIVE/58 PSF NEGATIVE



BOTTOM BAR



GUIDE DETAIL



CORRUGATED SHEET

PRODUCT REVIEWED as complying with the Florida Building Code Acceptance No. 08-1114-03 Expiration Date 12/28/09 By [Signature] Miami Dade Product Control Division

PRODUCT REVIEWED as complying with the Florida Building Code Acceptance No. 05-0628-02 Expiration Date 12/28/08 By [Signature] Miami Dade Product Control Division

3	06-05-05	CHANGED SPACING ON GUIDE FASTENERS
2	11-29-00	REVISED WEAR STRIP NOTE
1	03-29-00	REVISED NOTES

MODEL 651-58-168

Us DOOR & BUILDING COMPONENTS
2706 Rew Circle Suite 200 Ocoee, FL 34761
407.877.0100 Fax 407.877.8875 usdoor.com

JOB: _____
CONTRACTOR: _____
ARCHITECT: _____
ADDRESS: _____
DISTRIBUTOR: _____
ENGINEER: J.H. DIXON JR P.E. LIC No. FL7768

DATE: 8-2-99 SHEET 1 of 2
DRAWN BY: C.D.W.
CHECKED BY: G.O.G.
DRAWING NUMBER: 651-58-168