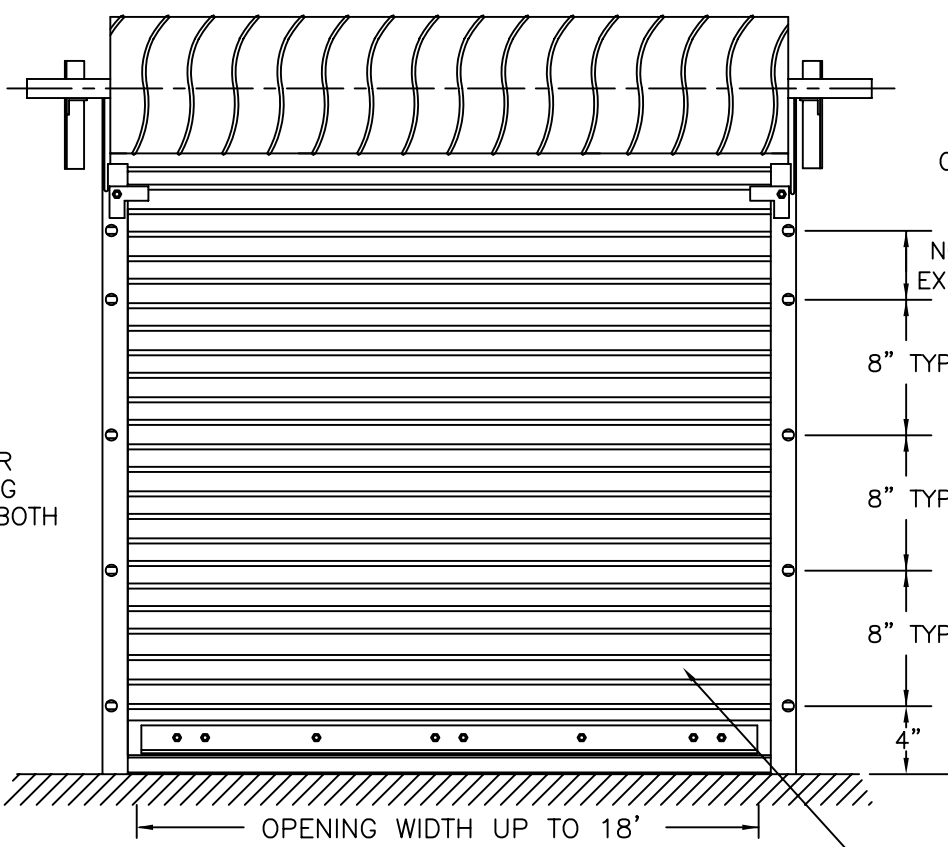
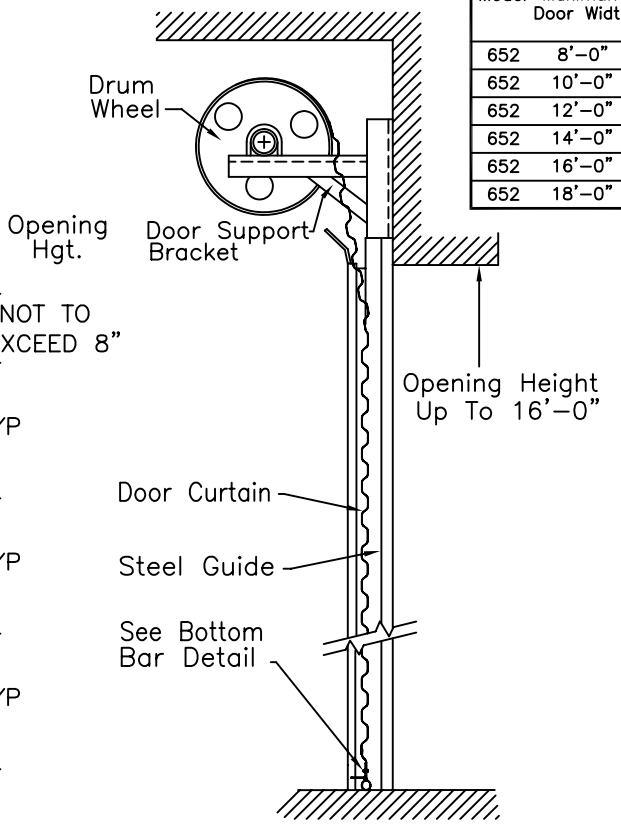


Model	Maximum Door Width	Maximum Door Height	Drawing Number	Design Load Positive P.S.F.	Design Load Negative P.S.F.
652	8'-0"	16'-0"	652-30-144	62.5	66.1
652	10'-0"	16'-0"	652-30-144	39.6	42.2
652	12'-0"	16'-0"	652-30-144	28.0	30.0
652	14'-0"	16'-0"	652-30-144	21.2	22.8
652	16'-0"	16'-0"	652-30-144	16.9	18.2
652	18'-0"	16'-0"	652-30-144	13.8	14.9

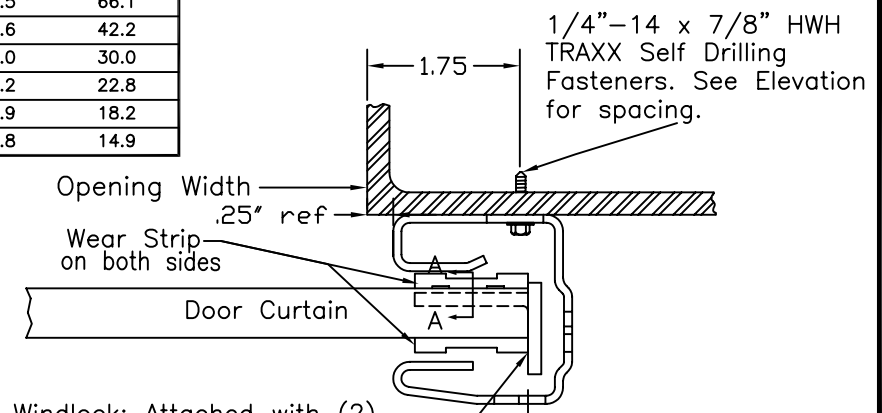


INTERIOR ELEVATION
Scale: None

Door Curtain: .017±.001 Hot Dip Galvanized Steel
ASTM A-653 Structural Steel (Grade 80) With Full Coat Of Primer And Baked Polyester Finish Coat.

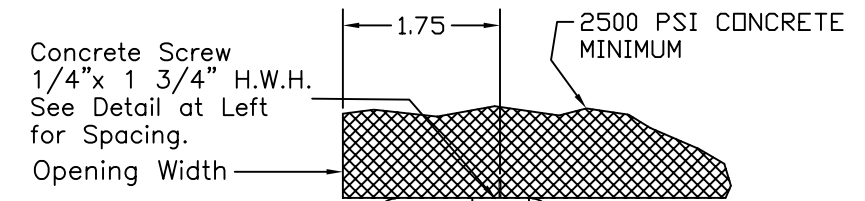


SECTION @ DOOR
Scale: None



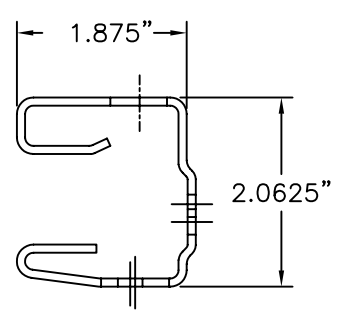
Windlock: Attached with (2)-3/16" pop rivets. (5)-windlocks each end of all sheets in opening.

STEEL JAMB



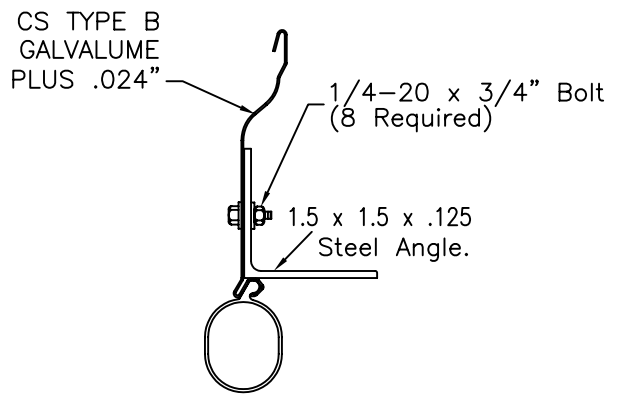
Windlock: Attached with (2)-3/16" pop rivets. (5)-windlocks each end of all sheets in opening.

MASONRY JAMB

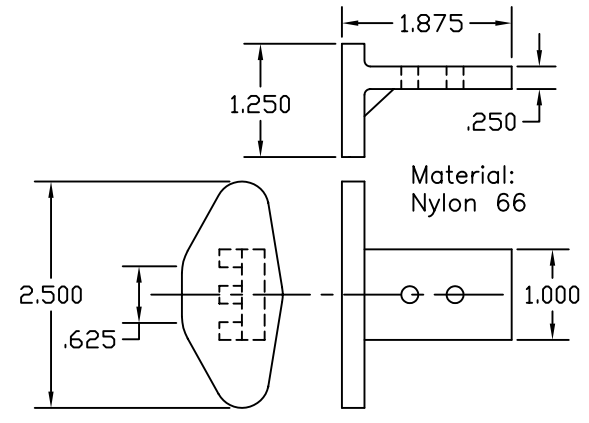


DOOR GUIDE

Material: CS type "B" G40 Thickness .070"



BOTTOM BAR

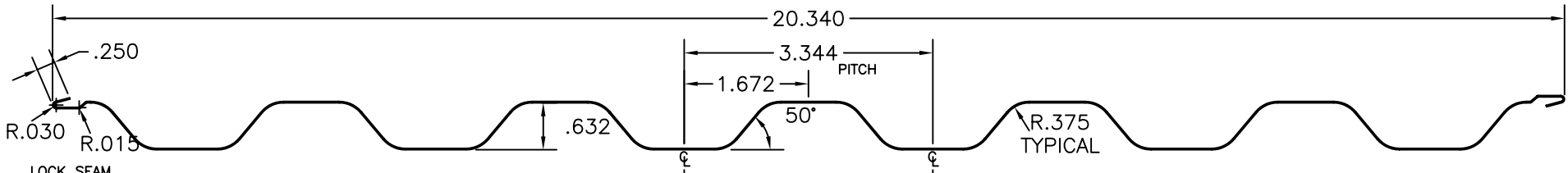


WIND LOCK P/N U220011

Material: Nylon 66

Refer to test report
CTLA 1927W

Doors designed for 28 #/ft² POS. & 30 #/ft² NEG. PSF wind load
Maximum door size 18'-0" wide x 16'-0" high



CORRUGATED SHEET

Scale: None

MODEL 652-30

 10407 Rocket Blvd. Orlando Fl. 32824 407.859.6770 Fax 407.447.2923 usdoor.com	JOB: _____	DATE: 1/06/08 SHEET: 1
	CONTRACTOR: _____	DRAWN BY: C.D.W.
	ARCHITECT: _____	CHECKED BY: G.O.G.
	ADDRESS: _____	DRAWING NUMBER
DISTRIBUTOR: _____	ADDRESS: _____	652-30-144

Revised 02/27/09